

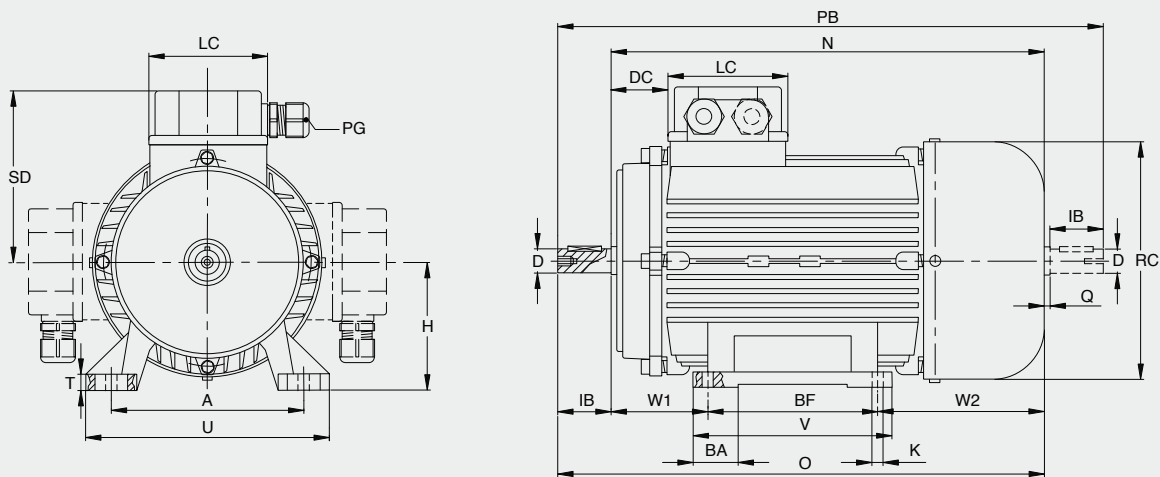
2/12 P		2/12 POLI / POLES 3000/500 rpm - V 400/50 Hz - Doppio avvolgimento / Double winding																																
TIPO TYPE		Potenza Power		rpm	In 400 V A	Rend% Eff.%	Cosφ p.f.	Ia In	Ca Cn	Cn Nm	J kgm ²	Peso Weight Kg	TIPO TYPE	DC				AC				DC - S				POS.DC								
														CF Nm	Cicli/h Cycles/h	PB Watt	Peso Weight Kg	CF Nm	Cicli/h Cycles/h	PB VA	Peso Weight Kg	CF Nm	Cicli/h Cycles/h	PB Watt	Peso Weight Kg	CF Nm	Cicli/h Cycles/h	PB Watt	Peso Weight Kg					
DAV	poli poles	kw	hp																															
DP71C	2	0,37	0,50	2740	1,100	63,0	0,77	3,0	1,5	1,3	0,00090	7,8	AD71C	2	4	24000	20	9,3	5	24000	40	9,3	4	24000	18	9,1	7,5	24000	11,5	8,8				
	12	0,05	0,07	440	0,900	15,9	0,50	1,4	2,0	1,1	0,00090	7,8		12	4	27000	20	9,3	5	27000	40	9,3	4	27000	18	9,1	7,5	27000	11,5	8,8				
DP80B	2	0,37	0,50	2780	1,000	68,0	0,79	3,2	1,7	1,3	0,00140	8,8	AD80B	2	8	16000	25	11,0	10	16000	70	12,0	9	16000	25	11,0	15,0	16000	16,0	10,8				
	12	0,07	0,10	440	0,880	14,4	0,80	1,5	2,1	1,5	0,00140	8,8		12	8	27000	25	11,0	10	27000	70	12,0	9	27000	25	11,0	15,0	27000	16,0	10,8				
DP80C	2	0,55	0,75	2741	1,321	63,0	0,96	3,4	1,8	1,9	0,00170	10,5	AD80C	2	8	15000	25	13,0	10	15000	70	12,5	9	15000	25	12,7	15,0	15000	16,0	12,5				
	12	0,09	0,12	460	1,078	22,0	0,55	1,8	2,7	1,9	0,00170	10,5		12	8	25500	25	13,0	10	25500	70	12,5	9	25500	25	12,7	15,0	25500	16,0	12,5				
DP90L	2	0,75	1,00	2850	2,000	68,0	0,80	4,8	1,9	2,5	0,00180	12,0	AD90L	2	16	15000	30	15,0	20	15000	120	16,0	10	15000	25	14,2	30,0	15000	21,0	15,0				
	12	0,11	0,15	460	1,400	20,2	0,56	2,0	2,9	2,3	0,00180	12,0		12	16	18000	30	15,0	20	18000	120	16,0	10	18000	25	14,2	30,0	18000	21,0	15,0				
DP90LB	2	1,10	1,50	2880	2,900	70,0	0,78	4,6	1,9	3,6	0,00260	14,0	AD90LB	2	16	13000	30	17,0	20	13000	120	18,0	10	13000	25	16,2	30,0	13000	21,0	17,0				
	12	0,15	0,20	470	1,500	25,0	0,58	2,0	2,9	3,0	0,00260	14,0		12	16	14500	30	17,0	20	14500	120	18,0	10	14500	25	16,2	30,0	14500	21,0	17,0				
DP100BL	2	1,80	2,50	2850	4,100	75,0	0,85	5,0	3,0	6,0	0,01300	22,0	AD100BL	2	32	7500	40	28,5	40	7500	160	28,5	12	7500	35	25,5	60,0	7500	28,0	26,0				
	12	0,37	0,50	450	2,000	40,0	0,67	2,1	2,8	7,9	0,01300	22,0		12	32	8500	40	28,5	40	8500	160	28,5	12	8500	35	25,5	60,0	8500	28,0	26,0				
DP112B	2	3,00	4,00	2900	6,800	80,7	0,79	6,5	1,7	9,9	0,01800	33,0	AD112B	2	60	1400	50	41,0	60	1400	300	41,0	13	1400	35	36,0	60,0	1400	28,0	40,0				
	12	0,45	0,60	450	3,000	45,0	0,48	3,0	2,8	9,6	0,01800	33,0		12	60	6000	50	41,0	60	6000	300	41,0	13	6000	35	36,0	60,0	6000	28,0	40,0				
DP132S	2	3,70	5,00	2963	9,318	73,1	0,78	7,0	1,8	11,9	0,03000	44,0	AD132S	2	80	430	55	54,0	90	430	500	57,0	17	430	35	58,0	120,0	430	38,0	58,0				
	12	0,88	1,10	468	4,512	60,1	0,47	4,0	2,5	18,0	0,03000	44,0		12	80	2000	55	54,0	90	2000	500	57,0	17	2000	35	58,0	120,0	2000	38,0	58,0				
DP132M	2	5,50	7,50	2920	12,000	78,8	0,84	7,5	2,0	18,0	0,04000	52,0	AD132M	2	80	400	55	62,0	90	400	500	65,0	17	400	35	59,0	120,0	400	38,0	66,0				
	12	1,10	1,50	455	6,100	64,0	0,41	4,0	2,2	23,1	0,04000	52,0		12	80	2000	55	62,0	90	2000	500	65,0	17	2000	35	59,0	120,0	2000	38,0	66,0				
DP160M	2	7,50	10,00	2940	10,000	72,0	0,94	7,0	1,4	24,7	0,08800	80,0	AD160M	2	150	300	85	95,0	200	300	600	96,0	30	300	65	95,0	240,0	300	45,0	102,0				
	12	1,50	2,00	480	7,000	66,0	0,46	3,4	1,1	31,2	0,08800	80,0		12	150	1650	85	95,0	200	1650	600	96,0	30	1650	65	95,0	240,0	1650	45,0	102,0				
DP160L	2	11,00	15,00	2900	24,000	82,0	0,81	7,0	2,8	36,2	0,10600	90,0	AD160L	2	150	300	85	105,0	200	300	600	106,0	30	300	65	106,0	240,0	300	45,0	112,0				
	12	3,00	4,00	460	16,500	60,0	0,44	4,0	2,0	62,3	0,10600	90,0		12	150	1650	85	105,0	200	1650	600	106,0	30	1650	65	106,0	240,0	1650	45,0	112,0				
DP180L	2	15,00	20,00	2920	39,000	87,0	0,64	6,3	2,2	49,1	0,15000	130,0	AD180L	2	260	200	100	150,0	400	200	600	150,0	-	-	-	-	480,0	200	70,0	152,0				
	12	4,00	5,50	450	18,000	70,0	0,46	3,5	1,5	84,9	0,15000	130,0		12	260	200	100	150,0	400	200	600	150,0	-	-	-	-	480,0	200	70,0	152,0				
DP200L	2	18,50	25,00	2900	55,000	88,0	0,55	7,0	2,5	60,9	0,20000	160,0	AD200L	2	400	100	100	170,0	400	100	600	180,0	-	-	-	-	480,0	100	70,0	182,0				
	12	5,50	7,50	440	23,000	73,0	0,47	3,8	1,6	119,4	0,20000	160,0		12	400	100	100	170,0	400	100	600	180,0	-	-	-	-	480,0	100	70,0	182,0				

Motori asincroni trifase **doppia polarità autofrenanti** serie DP
 DP series **two-speed** three-phase induction motors
 AD series **two-speed** three-phase induction **brake** motors

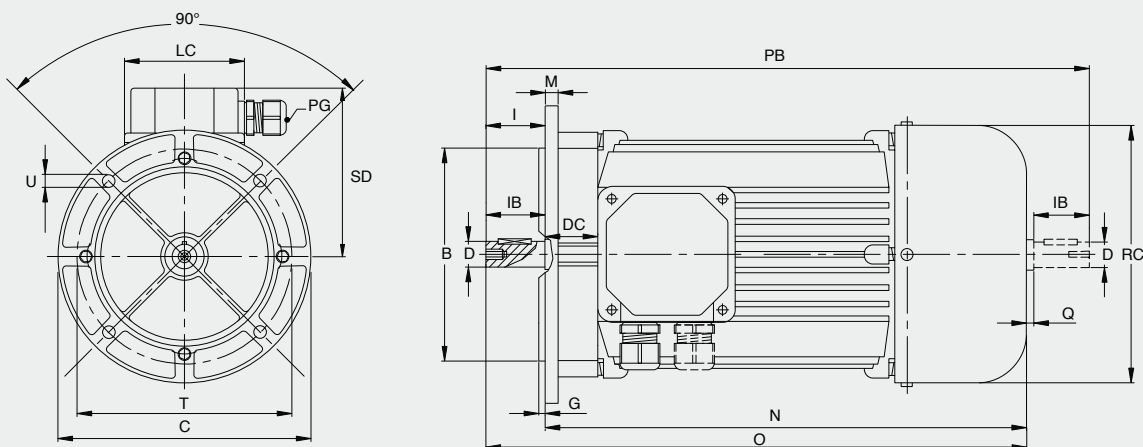
Dimensioni motori trifase e doppia polarità serie T - DP - HE2 - HE3** - IN
 Dimensions of three-phase and two-speed motors series T - DP - HE2 - HE3** - IN

In generale dalla grandezza 71 ÷ 200 piedi riportati / In generale dalla grandezza 71 ÷ 200 piedi riportati

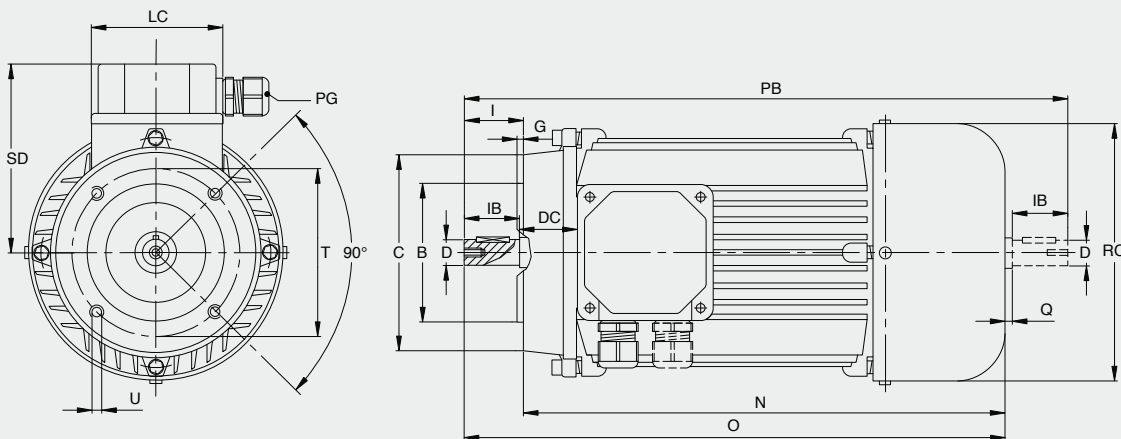
B3



B5



B14



* vedere pag. 45 ** su richiesta * see page 45 ** upon request

Tab. 37

Grand. / Size	50	56	63	71	80	90	100	112	132	160	180	200
F	3	3	4	5	6	8	8	8	10	12	14	16
D	9	9	11	14	19	24	28	28	38	42	48	55
GA	10,2	10,2	12,5	16,0	21,5	27,0	31,0	31,0	41,0	45,0	52,5	59,0
d		M4	M4	M5	M6	M8	M10	M10	M12	M16	M16	M20
LL	15	15	15	20	30	40	50	50	60	100	90	100

Grand. Size	Dimensioni / Dimensions																			B3	
	D	IB	A	BF	K	H	W1	W2	N	O	PG	RC	SD	TP	U	V	PB	Q	LC	DC	BA
56	9	20	90	71	6	56	36	61,0	168,0	188,0	M16	110	95	10	108	90	211,0	3	75	24	25
63	11	23	100	80	7	63	40	70,5	190,5	213,5	M16	123	100	10	120	105	239,5	3	75	28	27
71	14	30	112	90	8	71	48	80,0	218,0	248,0	M16	137	109	11	136	108	281,0	3	75	36	24
80	19	40	125	100	9	80	54	88,0	242,0	282,0	M20	156	123	13/14	154	125	326,0	4	91	35	30
90S	24	50	140	100	10	90	59	96,0	255,0	305,0	M20	176	128	13/15	170	130	358,0	3	91	40	30
90L	24	50	140	125	10	90	59	96,0	280,0	330,0	M20	176	128	13/15	170	155	383,0	3	91	40	32
100	28	60	160	140	13	100	63	109,0	312,0	372,0	M20	194	140	15/16	192	175	437,0	5	91	45	32
112	28	60	190	140	13	112	72	118,0	330,0	390,0	M20	218	148	15	224	176	455,0	5	91	47	34
132S	38	80	216	140	14	132	89	151,5	380,5	460,5	M32	258	177	16/18	260	180	546,5	6	106	57	37
132M	38	80	216	178	14	132	89	151,5	418,5	498,5	M32	258	177	16/18	260	218	584,5	6	106	57	37
160M	42	110	254	210	16	160	108	173,0	491,0	601,0	M32	309	220	18	318	260	718,0	7	165	118	52
160L	42	110	254	254	16	160	108	173,0	535,0	645,0	M32	309	220	18	318	304	-	-	165	118	52
180	48	110	280	280	16	180	120	210,0	610,0	720,0	M32	346	260	24	346	330	-	-	187	51	42
200	55	110	318	305	18	200	118	208,0	631,0	741,0	M32	348	260	26	398	355	-	-	187	62	54

Grand. Size	Dimensioni / Dimensions																			B5	
	D	I	B	C	G	M	N	O	PG	RC	SD	T	U	PB	Q	LC	DC	IB	LC	DC	BA
56	9	20	80	120	2,5	8,5	168,0	188,0	M16	110	95	100	7,0	211,0	3	75	24	20	75	24	25
63	11	23	95	140	2,5	10,0	190,5	213,5	M16	123	100	115	9,5	239,5	3	75	28	23	75	28	27
71	14	30	110	160	3,0	10,0	218,0	248,0	M16	137	109	130	9,5	281,0	3	75	36	30	75	36	24
80	19	40	130	200	3,0	11,0	242,0	282,0	M20	156	123	165	12,0	326,0	4	91	35	40	91	35	30
90S	24	50	130	200	3,5	10,0	255,0	305,0	M20	176	128	165	12,0	358,0	3	91	40	50	91	40	30
90L	24	50	130	200	3,5	10,0	280,0	330,0	M20	176	128	165	12,0	383,0	3	91	40	50	91	40	32
100	28	60	180	250	4,0	14,0	312,0	372,0	M20	194	140	215	14,5	437,0	5	91	45	60	91	45	32
112	28	60	180	250	4,0	14,0	330,0	390,0	M20	218	148	215	14,5	455,0	5	91	47	60	91	47	34
132S	38	80	230	300	4,0	20,0	380,5	460,5	M32	258	177	265	14,5	546,5	6	106	57	80	106	57	37
132M	38	80	230	300	4,0	20,0	418,5	498,5	M32	258	177	265	14,5	584,5	6	106	57	80	106	57	37
160M	42	110	250	350	5,0	20,0	491,0	601,0	M32	309	220	300	18,5	718,0	7	165	118	110	165	118	52
160L	42	110	250	350	5,0	20,0	535,0	645,0	M32	309	220	300	18,5	-	-	165	118	110	165	118	52
180	48	110	250	350	5,0	20,0	610,0	720,0	M32	346	260	300	19,0	-	-	187	51	110	187	51	42
200	55	110	300	400	5,0	20,0	631,0	741,0	M32	348	260	350	19,0	-	-	187	62	110	187	62	54

Grand. Size	Dimensioni / Dimensions																			B14	
	D	I	B	C	G	N	O	PG	RC	SD	T	U	PB	Q	LC	DC	IB				
50A	9	20	50	80	2,5	125,0	145,0	M16	98	77	65	M5	-	-	56	20	20				
50B	9	20	50	80	2,5	141,0	161,0	M16	98	77	65	M5	184,0	3	64	23	20				
56	9	20	50	80	2,5	168,0	188,0	M16	110	95	65	M5	211,0	3	75	24	20				
63	11	23	60	90	2,5	190,5	213,5	M16	123	100	75	M5	239,5	3	75	28	23				
71	14	30	70	105	3,0	218,0	248,0	M16	137	109	85	M6	281,0	3	75	36	30				
80	19	40	80	120	3,0	242,0	282,0	M20	156	123	100	M6	326,0	4	91	35	40				
90S	24	50	95	140	3,0	255,0	305,0	M20	176	128	115	M8	358,0	3	91	40	50				
90L	24	50	95	140	3,0	280,0	330,0	M20	176	128	115	M8	383,0	3	91	40	50				
100	28	60	110	160	4,0	312,0	372,0	M20	194	140	130	M8	437,0	5	91	45	60				
112	28	60	110	160	4,0	330,0	390,0	M20	218	148	130	M8	455,0	5	91	47	60				
132S	38	80	130	200	4,0	380,5	460,5	M32	258	177	165	M10	546,5	6	106	57	80				
132M	38	80	130	200	4,0	418,5	498,5	M32	258	177	165	M10	584,5	6	106	57	80				
160M	42	110	180	250	4,0	491,0	601,0	M32	309	220	215	M12	718,0	7	165	118	110				
160L	42	110	180	250	4,0	535,0	645,0	M32	309	220	215	M12	-	-	165	118	110				

B14 - grandezze 180 / 200 disponibili su richiesta B14 - sizes 180 / 200 available on request